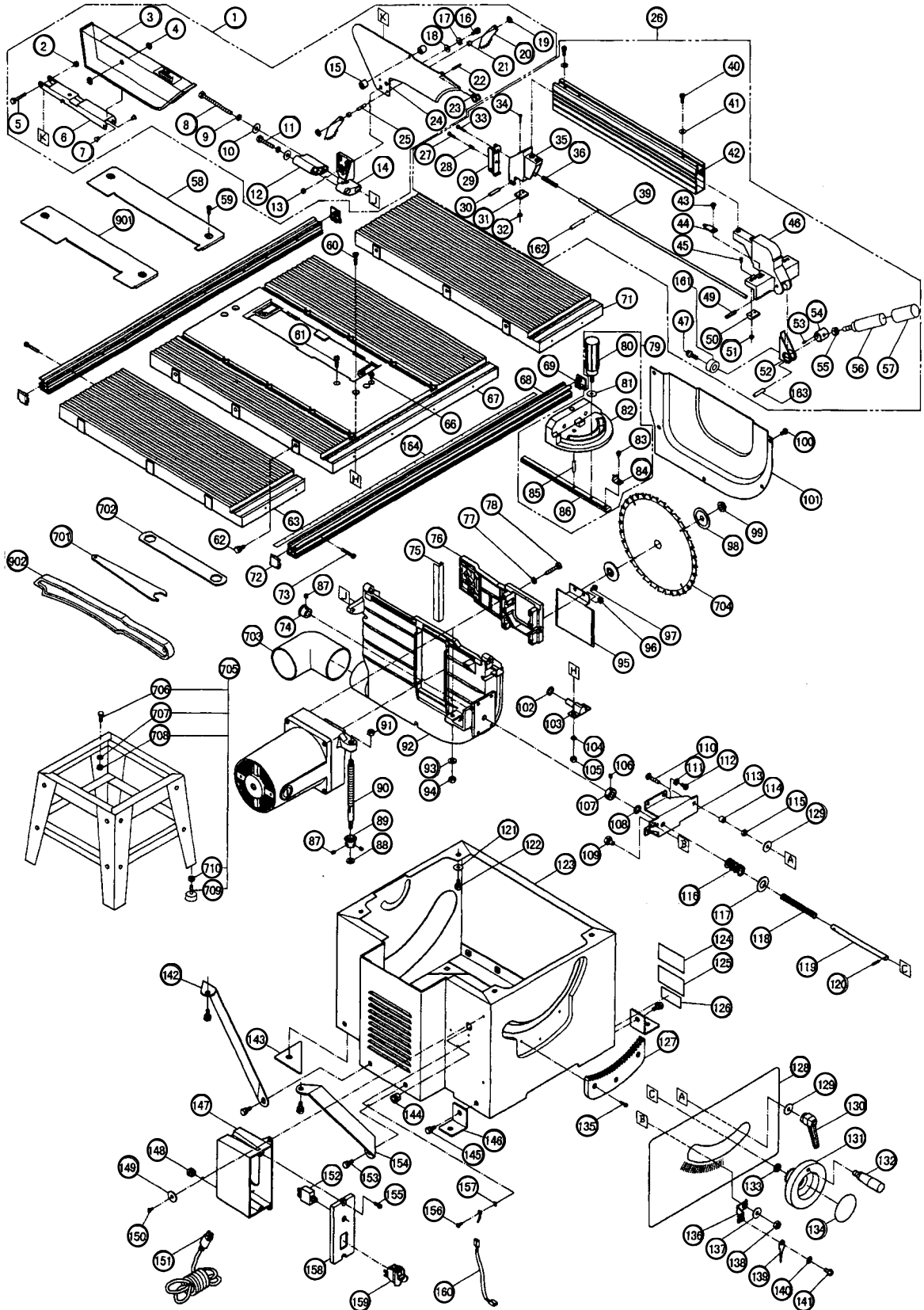
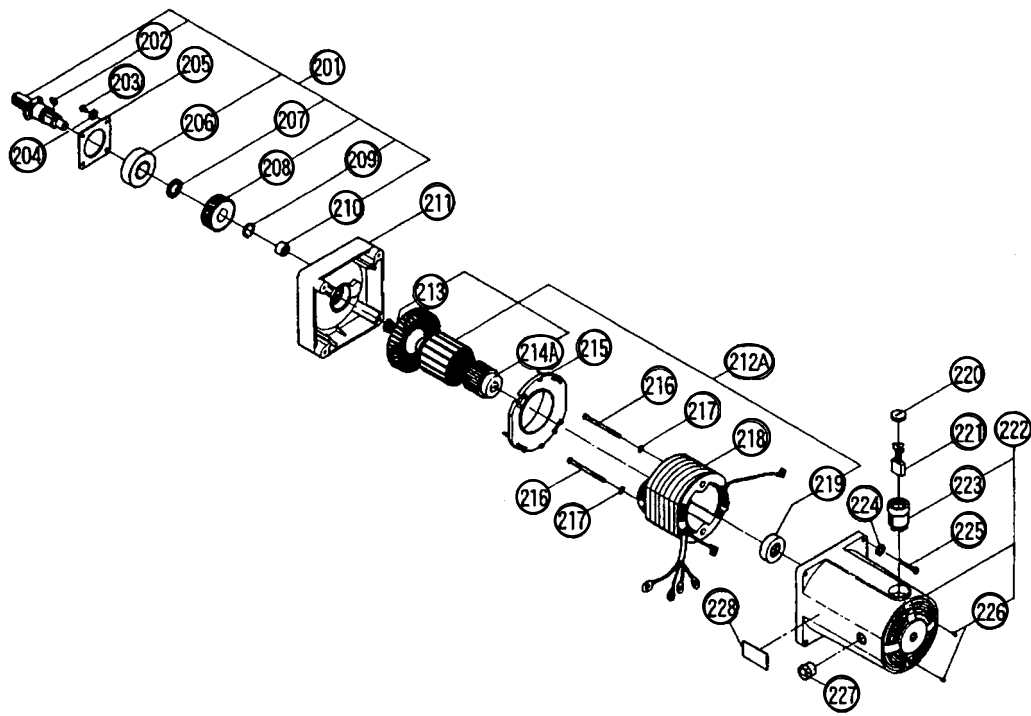


## ELECTRIC TOOL PARTS LIST

■ TABLE SAW  
Model C 10RA2

2000・9・29  
(E2)





**PARTS**

C 10RA2

ITEM No.	CODE NO.	DESCRIPTION	NO. USED	REMARKS
1	318-086	BLADE GUARD ASS'Y	1	INCLUD.2-25
2	314-474	NUT CHUCK M6	1	
3	314-479	BLADE GUARD	1	
4	314-476	SELF-LOCKING RING	2	
5	949-644	BOLT M6X40 (10 PCS.)	1	
6	314-477	ARM	1	
7	314-478	RIVET	2	
8	318-088	BOLT M6X110	1	
9	949-455	SPRING WASHER M6 (10 PCS.)	2	
10	949-432	BOLT WASHER M6 (10 PCS.)	2	
11	318-089	BOLT M6X90	1	
12	314-483	GUARD BRACKET	1	
13	949-556	NUT M6 (10 PCS.)	2	
14	318-090	CUSHION	1	
15	314-480	BUSHING	2	
16	949-613	BOLT M6X16 (10 PCS.)	2	
17	949-455	SPRING WASHER M6 (10 PCS.)	2	
18	973-361	WASHER	2	
19	314-476	SELF-LOCKING RING	2	
20	314-444	KICK BACK PAWL	2	
21	314-445	BUSHING	2	
22	949-870	ROLL PIN D4X22 (10 PCS.)	1	
23	314-447	SPRING	1	
24	318-092	SPREADER	1	
25	314-446	ROLL PIN	1	
26	318-093	RIP FENCE ASS'Y	1	INCLUD.27-36,39-47,49-57,161-163
27	318-094	TAPPING SCREW D5X25	1	
28	318-535	COMPRESSION SPRING 12L	1	
29	318-095	REAR CLAMP	1	
30	318-096	SPRING PIN	1	
31	318-097	SLIDER (REAR)	1	
32	318-098	HEX. NUT M4	2	
33	318-133	PAN HD. SCREW M5X25	1	
34	318-100	COUNTER HD. SCREW M4X20	2	
35	318-101	SUPPORT	1	
36	318-536	COMPRESSION SPRING 45L	1	
39	318-104	CONNECTING BAR	1	
40	949-755	HEX. SOCKET HD. BOLT M6X16 (10 PCS.)	4	
41	317-627	FLAT WASHER 1/4"X5/8"	4	
42	318-105	PARALLEL BRACKET	1	
43	317-567	ROUND WASHER HD. SCREW M5X8	1	
44	318-106	NEEDLE POINTER	1	
45	318-107	COUNTER HD. SCREW M4X12	4	
46	318-108	WIDTH BODY	1	
47	318-537	SCREW M5X10	1	
49	318-096	SPRING PIN	1	
50	318-111	SLIDER (FRONT)	2	
51	318-098	HEX. NUT M4	4	
52	318-113	FRONT CLAMPER	1	
53	318-114	RUBBER PIN	1	
54	318-115	ECCENTRIC SHAFT	1	

## PARTS

C 10RA2

ITEM No.	CODE NO.	DESCRIPTION	NO. USED	REMARKS
55	949-558	NUT M8 (10 PCS.)	1	
56	318-116	CLAMP BOLT	1	
57	318-117	GRIP	1	
58	314-484	TABLE INSERT FOR SAW BLADE	1	
59	949-235	MACHINE SCREW M5X8 (10 PCS.)	2	
60	949-342	FLAT HD. SCREW M6X25 (10 PCS.)	4	
61	314-486	SEAL LOCK SCREW M6X20	1	
62	318-118	HEX. BOLT (W/WASHERS) M6X20	6	
63	318-119	EXTENSION WING (LEFT)	1	
66	314-490	SEAL LOCK SCREW M6X10	1	
67	318-122	TABLE	1	
68	318-123	RAIL	2	
69	318-124	SIDE COVER (RIGHT)	2	
71	318-126	EXTENSION WING (RIGHT)	1	
72	318-127	SIDE COVER (LEFT)	2	
73	318-128	HEX. SOCKET HD. CAP BOLT M6X35	16	
74	314-512	BEVEL GEAR (A)	1	
75	314-513	SLIDE PLATE	2	
76	314-514	SLIDE BRACKET	1	
77	949-455	SPRING WASHER M6 (10 PCS.)	4	
78	949-803	BOLT M6X35 (10 PCS.)	4	
79	315-042	MITER GAUGE ASS'Y	1	INCLUD.80-86
80	314-505	CLAMP HANDLE (B)	1	
81	314-506	FLAT WASHER M6.4	1	
82	314-507	MITER GAUGE	1	
83	949-234	MACHINE SCREW M5X6 (10 PCS.)	1	
84	314-509	ANGLE POINTER	1	
85	314-510	PIN	1	
86	314-511	SHEET BAR	1	
87	967-469	HEX. SOCKET SET SCREW M6X6	4	
88	314-516	FLAT WASHER M8X14.3	1	
89	314-517	BEVEL GEAR (B)	1	
90	314-518	SCREW BAR	1	
91	314-519	NUT CHUCK M8	1	
92	314-520	BODY	1	
93	314-521	FLAT WASHER M6.4X12.7	1	
94	314-522	SPECIAL NUT CHUCK M6	1	
95	314-523	GUARD	1	
96	949-455	SPRING WASHER M6 (10 PCS.)	1	
97	949-255	MACHINE SCREW M6X12 (10 PCS.)	1	
98	314-454	WASHER (A)	2	
99	318-130	SET NUT	1	
100	317-352	TAPPING SCREW D5X10	5	
101	314-526	BLADE GUARD	1	
102	314-527	FLAT WASHER M8X15	2	
103	314-528	PIVOT SUPPORT	2	
104	949-455	SPRING WASHER M6 (10 PCS.)	4	
105	949-556	NUT M6 (10 PCS.)	4	
106	967-469	HEX. SOCKET SET SCREW M6X6	2	
107	314-533	ANCHOR BLOCK	1	
108	314-534	FLAT WASHER M9.5	1	

\* : ALTERNATIVE PARTS

9 - 00

## PARTS

C 10RA2

ITEM No.	CODE NO.	DESCRIPTION	NO. USED	REMARKS
109	307-410	BOLT (W/WASHERS) M8X16 (BLACK)	1	
110	314-529	SPECIAL BOLT M6X35	1	
111	949-455	SPRING WASHER M6 (10 PCS.)	4	
112	949-255	MACHINE SCREW M6X12 (10 PCS.)	4	
113	314-530	BRACKET	1	
114	314-531	SPACER	1	
115	949-556	NUT M6 (10 PCS.)	1	
116	314-535	COMPRESSION SPRING 20L	1	
117	314-536	FLAT WASHER M16	1	
118	314-537	COMPRESSION SPRING 57L	1	
119	314-538	REGULATING BOLT	1	
120	949-518	ROLL PIN D3X18 (10 PCS.)	1	
121	973-361	WASHER	4	
122	996-577	BOLT (W/WASHERS) M6X12 (BLACK)	4	
123	314-539	BODY SHELL	1	
124		WARNING LABEL (B)	1	
125		WARNING LABEL (A)	1	
126		NAME PLATE	1	
127	314-555	SEGMENT GEAR	1	
128		HITACHI LABEL	1	
129	314-532	FLAT WASHER M6X25	2	
130	314-556	TENSION HANDLE	1	
131	314-557	WHEEL	1	
132	314-558	HANDLE	1	
133	314-534	FLAT WASHER M9.5	1	
134	314-560	LABEL	1	
135	318-131	PAN HD. TAPPING SCREW D4X12	3	
136	314-561	POINTER BRACKET	1	
137	949-433	BOLT WASHER M8 (10 PCS.)	1	
138	949-558	NUT M8 (10 PCS.)	1	
139	314-562	NEEDLE POINTER	1	
140	314-580	TOOTHED LOCK WASHER M5	1	
141	949-235	MACHINE SCREW M5X8 (10 PCS.)	1	
142	314-541	EXTENSION SUPPORTER (L)	2	
143	314-542	SPONGE	4	
144	314-548	STRAIN RELIEF (RA-1418)	1	
145	308-946	BOLT (W/WASHERS) M8X20 (BLACK)	4	
146	314-540	SET PLATE	4	
147	317-285	SWITCH BOX	1	
148	314-544	STRAIN RELIEF (RU-1435)	1	
149	949-429	BOLT WASHER M4 (10 PCS.)	3	
150	314-545	TAPPING SCREW D4X10	3	
151	314-456	POWER CABLE	1	
152	314-457	CIRCUIT BREAKER SWITCH	1	
153	308-946	BOLT (W/WASHERS) M8X20 (BLACK)	8	
154	314-547	EXTENSION SUPPORTER (R)	2	
155	314-549	TAPPING SCREW D5X16	2	
156	318-132	PAN HD. TAPPING SCREW D4X8	2	
157	314-553	TOOTHED LOCK WASHER M4	2	
158	314-458	SWITCH PLATE	1	
159	314-459	ROCKER SWITCH	1	





