

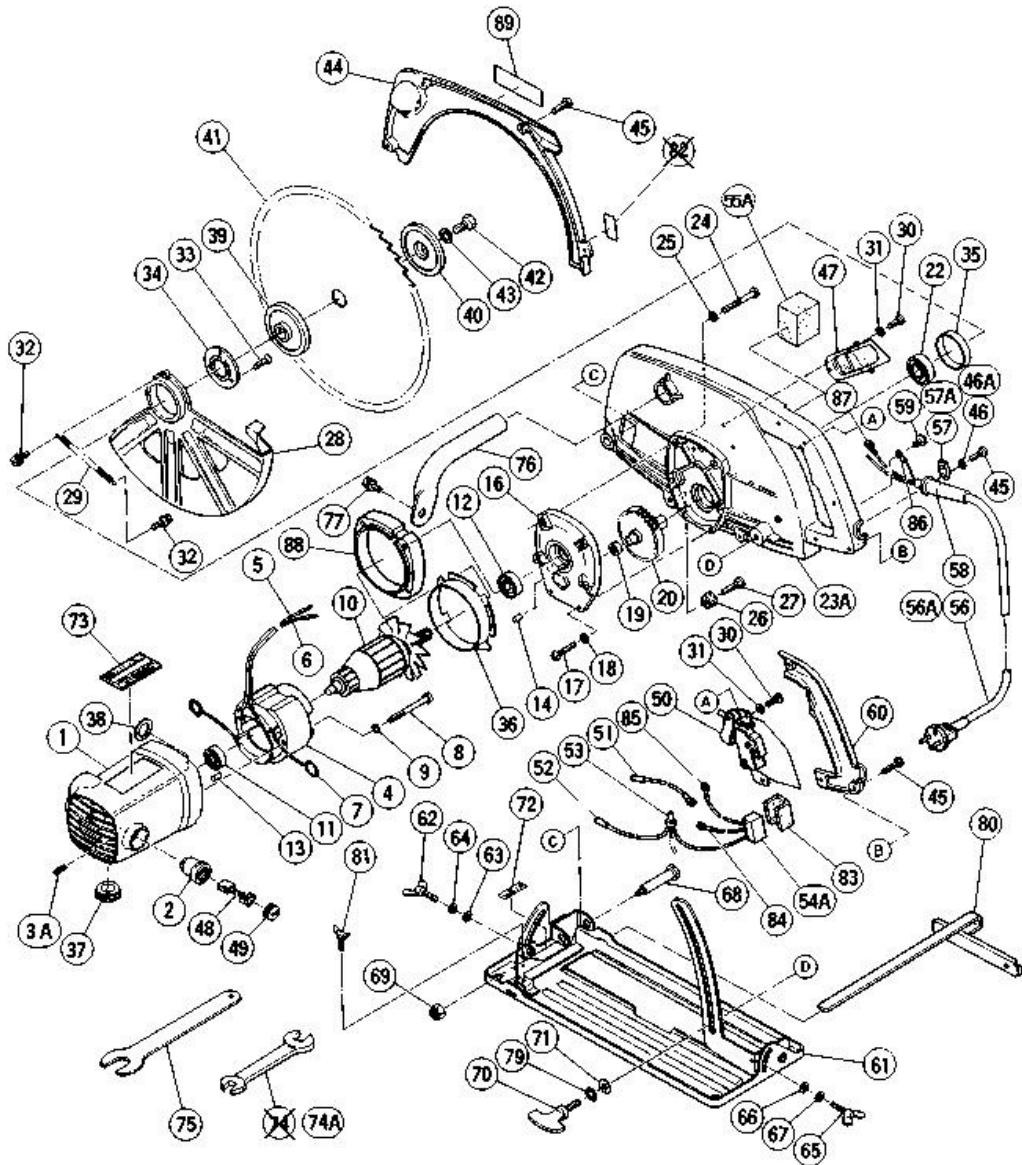
HITACHI

LIST NO. 0549

ELECTRIC TOOL PARTS LIST

■ CIRCULAR SAW
Model C 13

1994・7・4
(E3)



C13

Pos. Nr.	Art. Nr.	Beschreibung	Stueck	Kommentar	Beschreibung
1	986-753		1	INCLUD.2,3A	HOUSING ASS'Y
1	986-750		1	INCLUD.2,3A FOR KOR	HOUSING ASS'Y
2	986-691		2		BRUSH HOLDER
3A	938-477	INBUSSTIFTSCHRAUBE M5X8	2		HEX. SOCKET SET SCREW M5X8
4	957-511C		1	INCLUD.5-7	STATOR ASS'Y 110V-127V
4	957-511E		1	INCLUD.5-7	STATOR ASS'Y 220V-230V
4	957-511F		1	INCLUD.5-7	STATOR ASS'Y 240V
4	957-501		1	INCLUD.5-7	STATOR ASS'Y 100V
5	957-312		1		INTERNAL WIRE (C)
6	957-313		1		INTERNAL WIRE (D)
7	948-703	KOHLLENHALTERKLEMME SB110	2		BRUSH TERMINAL
8	966-130		2		MACHINE SCREW M5X80
8	949-233	+KOPFSCHRAUBE M5X55 (10ST)	2	FOR KOR	MACHINE SCREW M5X55 (10 PCS.)
9	949-454	FEDERSCHEIBE M5 (10ST)	2		SPRING WASHER M5 (10 PCS.)
10	957-512C		1		ARMATURE 110V-127V
10	957-512E		1		ARMATURE 220V-240V
10	946-404		1	INCLUD.11,12	ARMATURE ASS'Y 100V
11	620-0VV	KUGELLAGER 6200 VV	1		BALL BEARING 6200VVCMP2L
12	620-2VV	KUGELLAGER 6202 VV	1		BALL BEARING 6202VVCMP2L
13	931-701	LAGERVERRIEGELUNG (DIV TYPEN)	1		BEARING LOCK
14	945-801		1		BEARING LOCK
16	957-657		1	INCLUD.19	INNER COVER ASS'Y

17	949-221	+KOPFSCHRAUBE M4X20 (10ST)	2		MACHINE SCREW M4X20 (10 PCS.)
18	949-453	FEDERSCHEIBE M4 (10ST)	2		SPRING WASHER M4 (10 PCS.)
19	946-408	NADELLAGER BK1210 H45SA	1		NEEDLE BEARING (NTN BK1210)
20	957-790		1		SPINDLE
22	620-3VV	KUGELLAGER 6203VV	1		BALL BEARING 6203VVCMP2L
23A	986-755		1	INCLUD.45,46A,57A	GEAR COVER ASS'Y
24	948-658		4		MACHINE SCREW M6X65
24	949-265		4	FOR KOR	MACHINE SCREW M6X45 (10 PCS.)
25	949-455	FEDERSCHEIBE M6 (10ST)	4		SPRING WASHER M6 (10 PCS.)
26	946-210		1		CUSHION
27	949-276		1		MACHINE SCREW M8X28 (10 PCS.)
28	957-792		1		SAFETY COVER
29	941-011		1		RETURN SPRING
30	949-215	+KOPFSCHRAUBE M4X 8 (10ST)	5		MACHINE SCREW M4X8 (10 PCS.)
31	949-453	FEDERSCHEIBE M4 (10ST)	5		SPRING WASHER M4 (10 PCS.)
32	986-723	#NAME?	2		MACHINE SCREW (W/WASHERS) M4X8
33	949-322	SENKKOPFSCHRAUBE M4X10 (10ST)	3		FLAT HD. SCREW M4X10 (10 PCS.)
34	946-416		1		BEARING LID
35	941-031		1		BUSHING
36	957-517Z		1		FAN GUIDE
36	941-012		1	FOR KOR	FAN GUIDE
37	940-831	KAPPE (A) CM6	1		CAP (A)

38	941-206		2		STOP PLATE
39	957-793		1		WASHER (A)
40	957-794		1		WASHER (B)
41			1		SAW BLADE (COMBINATION) 335MM-D25.4 HOLE
41	879-150		1	FOR KOR	SAW BLADE (RIP) 335MM- D25.4 HOLE- NT60
42	946-218		1		BOLT M10X20
43	949-458	FEDERSCHEIBE M10 (10ST)	1		SPRING WASHER M10 (10 PCS.)
44	957-795		1	INCLUD.89	SAW COVER ASS'Y
45	949-218	+KOPFSCHRAUBE M4X14 (10ST)	9		MACHINE SCREW M4X14 (10 PCS.)
46	949-453	FEDERSCHEIBE M4 (10ST)	2	TILL 10.1988	SPRING WASHER M4 (10 PCS.)
46A	949-423	UNTERLEGSCHIEBE M4 (10ST)	2	SINCE 11.1988	WASHER M4 (10 PCS.)
47	957-326		1		PROTECTOR
48	999-038	KOHLLENBURSTEN (PAAR)	2		CARBON BRUSH (1 PAIR)
49	940-540	KOHLLENKAPPE C13U/M12V/DIV TYPEN H70SA	2		BRUSH CAP
50	936-415		1		SWITCH (1P SCREW TYPE) W/LOCK
51	941-016		1		INTERNAL WIRE (B)
52	941-015		1		INTERNAL WIRE (B)
53	959-141	VERBINDER 50092 (10ST) DIV TYPEN	1		CONNECTOR 50092 (10 PCS.)
54A	994-273	KONDENSATOR DIV TYPEN	1	FOR NZL	NOISE SUPPRESSOR
55A	962-208		1		SHIELD
56	500-202Z		1	(CORD ARMOR D10.7)	CORD
56	310-311		1	(CORD ARMOR D10.7) FOR KOR	CORD

56	500-210Z		1	(CORD ARMOR D10.7)	CORD
56	500-217Z		1	(CORD ARMOR D8.2) FOR NZL,NGU	CORD
56	500-393Z		1	(CORD ARMOR D10.7) FOR SYR	CORD
56	500-428Z		1	(CORD ARMOR D8.2) FOR SAU (220V),KUW	CORD
56	500-430Z		1	(CORD ARMOR D10.7) FOR SAU (127V)	CORD
56A	500-398Z		1	(CORD ARMOA D8.2)FOR INA,IRQ	CORD
56A	500-449Z		1	(CORD ARMOR D8.2) FOR HKG	CORD
57	930-108		1	TILL 10.1988	CORD CLIP
57A	937-631	KABELKLEMME DIV TYPEN	1	SINCE 11.1988	CORD CLIP
58	958-049	KABELKNICKSCHUTZ D8 2 DIV TYPEN	1		CORD ARMOR D8.2
58	940-778	KABELKNICKSCHUTZ D10 7 DIV TYPEN	1		CORD ARMOR D10.7
59	949-292		1		MACHINE SCREW (BRASS) M4X6 (10 PCS.)
60	957-654		1		HANDLE COVER
61	957-796		1	INCLUD.62-67	BASE ASS'Y
62	949-427	FLUGELSCRAUBE M8X20 (10ST)	1		WING BOLT M8X20 (10 PCS.)
63	949-433	UNTERLEGSCHIEBE M8 (10ST)	1		BOLT WASHER M8 (10 PCS.)
64	949-457	FEDERSCHIEBE M8 (10ST)	1		SPRING WASHER M8 (10 PCS.)
65	949-401		1		WING BOLT M6X12 (10 PCS.)
66	949-432	UNTERLEGSCHIEBE M6 (10ST)	1		BOLT WASHER M6 (10 PCS.)
67	949-455	FEDERSCHIEBE M6 (10ST)	1		SPRING WASHER M6 (10 PCS.)
68	946-423	STELLSCHRAUBE C13U	1		SET BOLT
69	946-228	U-MUTTER M8 G18SE2/G18U/UA/UB/23U	1		U-NUT M8
70	945-430		1		CLAMP SCREW

71	949-434	UNTERLEGSSCHEIBE M10 (10ST)	1		BOLT WASHER M10 (10 PCS.)
72	957-025		1		SCALE
73			1		NAME PLATE
74A	931-161		1		WRENCH 17/19MM
75	941-490		1		WRENCH 23MM
76	941-022Z		1		SIDE HANDLE
76	941-022		1	FOR KOR	SUB HANDLE
77	986-754		1		BOLT (W/WASHERS) M8X20
79	949-457	FEDERSCHEIBE M8 (10ST)	1		SPRING WASHER M8 (10 PCS.)
80	957-801		1	INCLUD.81	GUIDE ASS'Y
81	941-055		1		WING BOLT M6X15
83	930-153	POLSTER (B) SELBSTKLEB DIV TYPEN	1	FOR NZL	SUPPORT (B)
84	959-144	KABELSCHUH 50051 (10ST) DIV TYPEN	1	FOR NOISE SUPPRESSOR	TERMINAL 50051 (10 PCS.)
85	930-804	KABELSCHUH M4 0 (10ST)	1	FOR NOISE SUPPRESSOR	TERMINAL M4.0 (10 PCS.)
86	959-144	KABELSCHUH 50051 (10ST) DIV TYPEN	1	FOR CORD	TERMINAL 50051 (10 PCS.)
87	930-804	KABELSCHUH M4 0 (10ST)	1	FOR CORD	TERMINAL M4.0 (10 PCS.)
88	957-514Z		1	EXCEPT FOR KOR	SUB INNER COVER
89	961-725		1		HITACHI LABEL