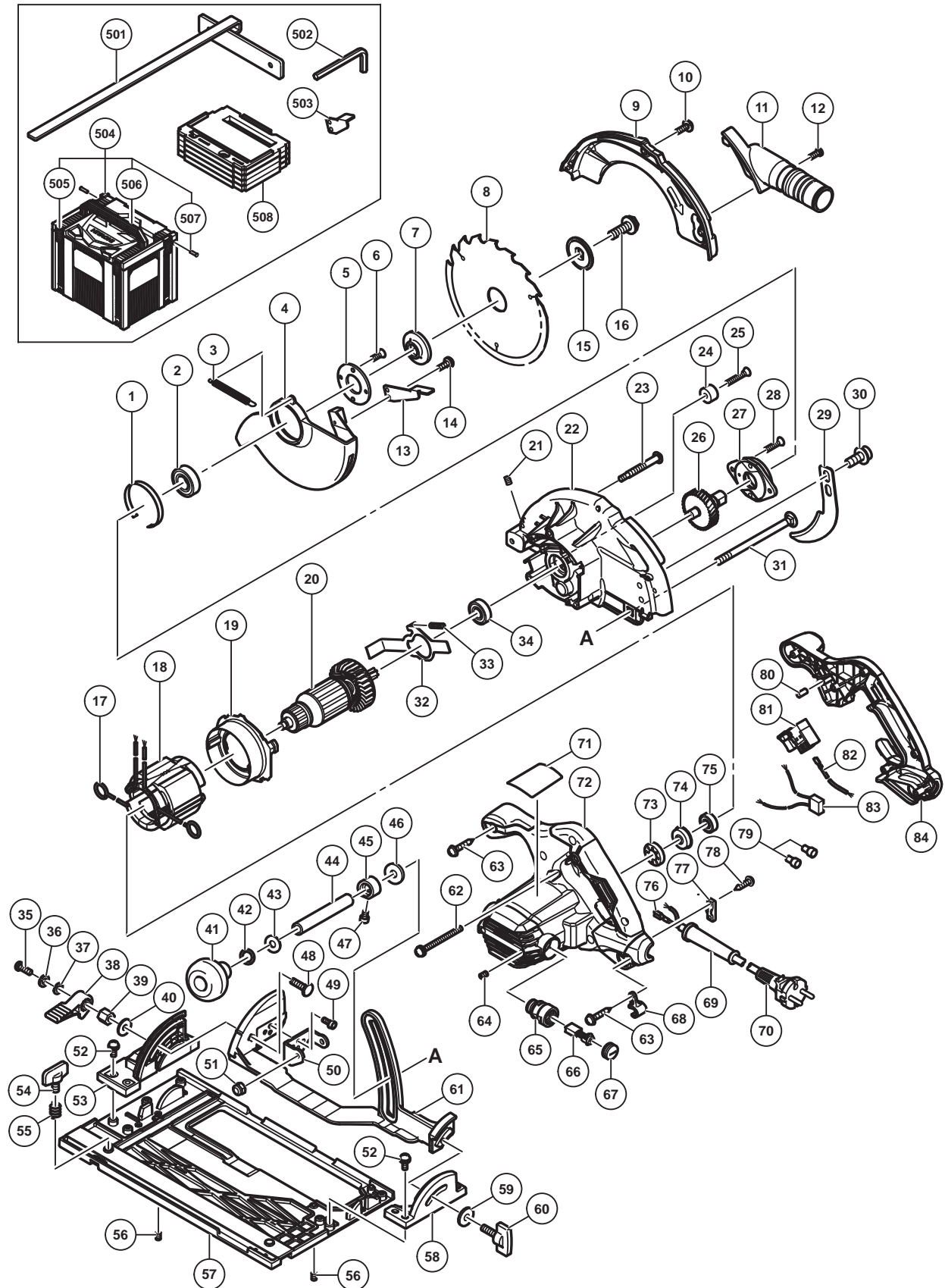


ELECTRIC TOOL PARTS LIST

CIRCULAR SAW Model C 6UM

2016-7-20
(E1)



PARTS

C 6UM

ITEM NO.	CODE NO.	DESCRIPTION	NO. USED	REMARKS
1	998887	LINER	1	
2	327694	BALL BEARING 6003VVCM (NYLON RETAINER)	1	
3	370374	RETURN SPRING	1	
4	370357	LOWER GUARD	1	
5	302435	BEARING COVER	1	
6	990430	SEAL LOCK FLAT HD. SCREW M4 X 10	2	
7	370272	WASHER (A)	1	
8	324678	TCT SAW BLADE 165MM-D30 HOLE-NT16	1	
9	370355	SAW COVER	1	
10	951039	MACHINE SCREW (W/SP. WASHER) M4 X 12	3	
11	997247	DUST COLLECTOR	1	
12	935196	MACHINE SCREW (W/WASHERS) M4 X 12 (BLACK)	1	
13	370542	LEVER	1	
14	935196	MACHINE SCREW (W/WASHERS) M4 X 12 (BLACK)	1	
15	370279	WASHER (B)	1	
16	324662	HEX. SOCKET HD. BOLT M8 X 15.5	1	
17	930703	BRUSH TERMINAL	2	
18	340945E	STATOR ASS'Y 220V-230V	1	INCLUD.17
19	370342	FAN GUIDE	1	
20	361037E	ARMATURE 220V-230V	1	
21	962782	HEX. SOCKET SET SCREW M5 X 6	1	
22	370352	GEAR COVER	1	
23	322096	ADJUSTING SCREW (A)	1	
24	961729	CUSHION	1	
25	949794	FLAT HD. SCREW M6 X 20 (10 PCS.)	1	
26	370372	SPINDLE AND GEAR SET	1	
27	302433	BEARING HOLDER	1	
28	992013	SEAL LOCK FLAT HD. SCREW M5 X 14	2	
29	370366	RIVING KNIFE	1	
30	370287	HEX. SOCKET HD. BOLT M8	2	
31	370662	DIAGONAL BOLT M8	1	
32	370363	LOCK LEVER	1	
33	330982	SPRING (A)	1	
34	6001VV	BALL BEARING 6001VV	1	
35	333922	MACHINE SCREW M6 X 14	1	
36	949455	SPRING WASHER M6 (10 PCS.)	1	
37	949425	WASHER M6 (10 PCS.)	1	
38	323923	LEVER (A)	1	
39	333921	LOCK NUT	1	
40	318452	WASHER (G)	1	
41	324660	KNOB	1	
42	676531	O-RING (P-7)	1	
43	949433	BOLT WASHER M8 (10 PCS.)	1	
44	370825	SLEEVE (A)	1	
45	370268	SLEEVE (B)	1	
46	370376	WASHER	1	
47	370278	SEAL LOCK HEX. SOCKET HD. BOLT M4 X 6	1	
48	370377	BOLT (SQUARE) D6	1	
49	305755	HEX. SOCKET HD. BOLT (W/FLANGE) M5 X 12	2	
50	370370	BEVEL PLATE (C)	1	

